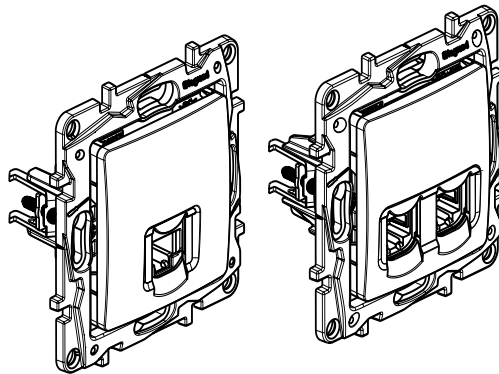


**Niloe™**  
**RJ socket**

Catalogue number(s): 7 645 72/73/74



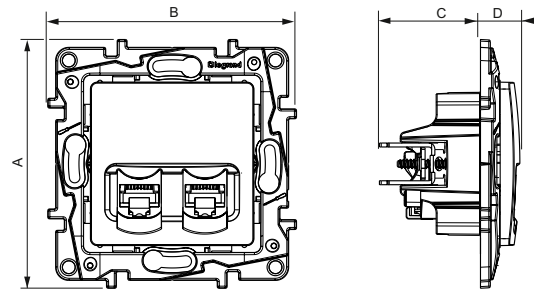
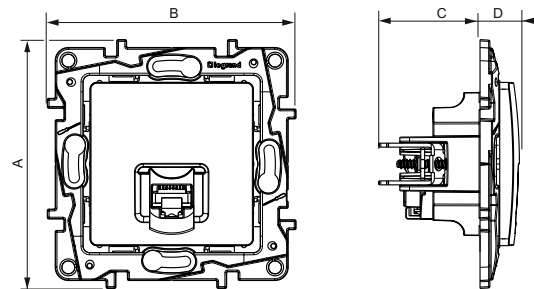
**1. USE**

RJ sockets:  
 - RJ45 UTP sockets - Cat. 6 : telephone, IT.  
 - RJ 11 sockets: telephone  
 Mechanisms to be fitted with finishing plates.  
 Flush or surface-mounting.  
 Screw or claw fixing.

**2. RANGE**

RJ45 SOCKETS	
Description	White
RJ11 + RJ45 Cat 6 UTP socket	7 645 72
RJ45 Cat 6 UTP socket	7 645 73
2 x RJ45 Cat 6 UTP socket	7 645 74

**3. DIMENSIONS (mm)**



Catalogue numbers		A	B	C	D
RJ45 Cat 6 UTP	7 645 73				
RJ11 + RJ45 Cat 6 UTP	7 645 72	75.8	75.8	30.8	12
2 RJ45 Cat 6 UTP	7 645 74				

#### 4. TECHNICAL CHARACTERISTICS

##### ■ 4.1 Mechanical characteristics

Protection against solid bodies and liquids: IP 20  
Protection against impacts: IK 04

##### ■ 4.2 Material characteristics

Poly gloss appearance  
Colour: White, Aluminium, Grey, Ivory  
Material:

- Plate: ABS
- Socket cover plate: Polycarbonate
- Halogen-free
- UV resistant

Self-extinguishing:

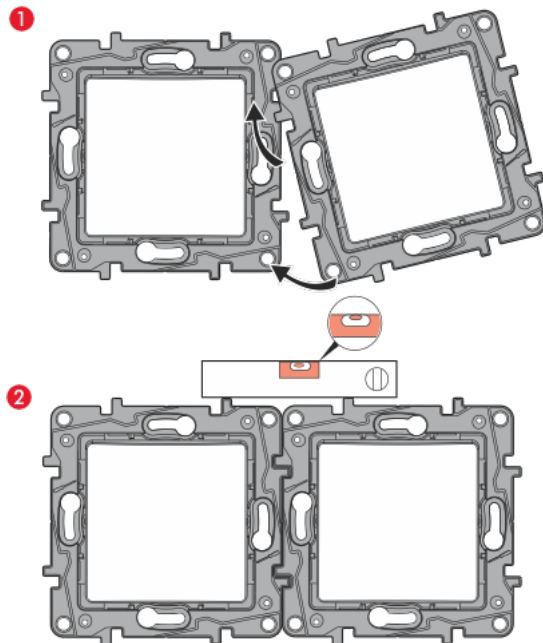
- +850°C/30 sec for insulating parts holding live parts in place.
- + 650°C/30 sec for other parts made of insulating materials.

##### ■ 4.3 Climate characteristics

Storage and operating temperature: -5°C to +35°C

##### ■ 4.4 Support characteristics

Material: RAL 737 grey halogen-free polycarbonate  
High impact resistance and torsional strength due to the thickness of the support.  
Easy guidance for positioning the mechanisms.  
Horizontal or vertical alignment without lifting up the mechanisms too much.



#### 5. CARE

Clean the surface with a cloth.

Do not use: acetone, tar-removing cleaning agents or trichloroethylene.

**Warning:** Always test before using other special cleaning products.

#### 6. STANDARDS AND APPROVALS

RJ45: Meets standards: ISO 11801 Edition 2  
CENELEC EN 50173-1 2007  
ANSI/TIA 568 C.2  
ISO/IEC series 60603-7